

AT7 EVSE Fuses



FEATURES:

- 700 / 750 VDC EVSE fuse
- Rated Current: 150-600 A
- Rated Breaking Capacity: 20 kA
- Dimensions: 38x50, 38x75 mm
- General purpose fuse for EV charging equipment
- Ref. to UL 248-13
- Approvals: UL(File: E485737)
- Recommended fuse holder: BFR084-48-M10, BFR084-53-M10, BFR108-43-M10

ELECTRICAL SPECIFICATIONS

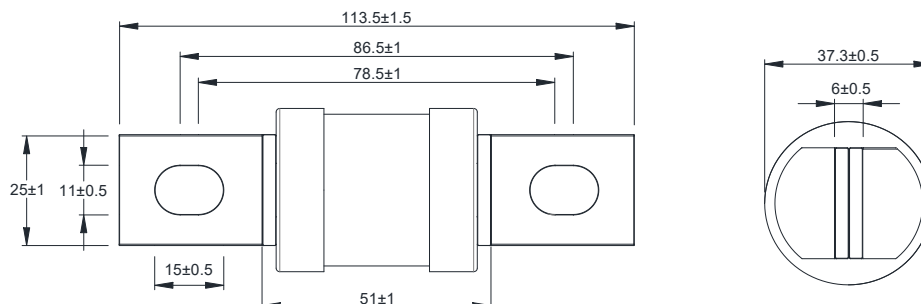
| Part Number | Rated Current | Ampere Code | Rated Voltage | Breaking Capacity | Dimensions and Bolt Size |
|-------------|---------------|-------------|---------------|-------------------|--|
| AT73250B05 | 250A | 3250 | 700 VDC | 20 kA@700 VDC | 38x50 mm Bolt Size: M10 |
| AT73300B05 | 300A | 3300 | | | |
| AT73350B05 | 350A | 3350 | | | |
| AT73500BN8 | 500A | 3500 | 700 VDC | 20 kA@700 VDC | 38x50 mm Bolt Size: M10 Horizontal Twins |
| AT73600BN8 | 600A | 3600 | | | |
| AT73150C04 | 150A | 3150 | 750 VDC | 50 kA@750 VDC | 38x75 mm Bolt Size: M10 |
| AT73175C04 | 175A | 3175 | | | |
| AT73200C04 | 200A | 3200 | | | |
| AT73225C04 | 225A | 3225 | | | |
| AT73250C04 | 250A | 3250 | | | |
| AT73300C04 | 300A | 3300 | | | |

Note:

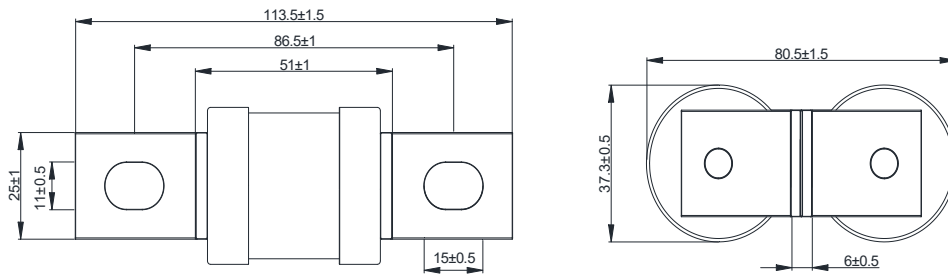
- (1) Percentage of change in fuse current carrying capability. Change in ambient temperature: -0.13 %/°C
- (2) Temperature Rise: ≤50 K at 50 % of rated current(AT7xxxxB05, AT7xxxxBN8)

DIMENSIONS (mm)

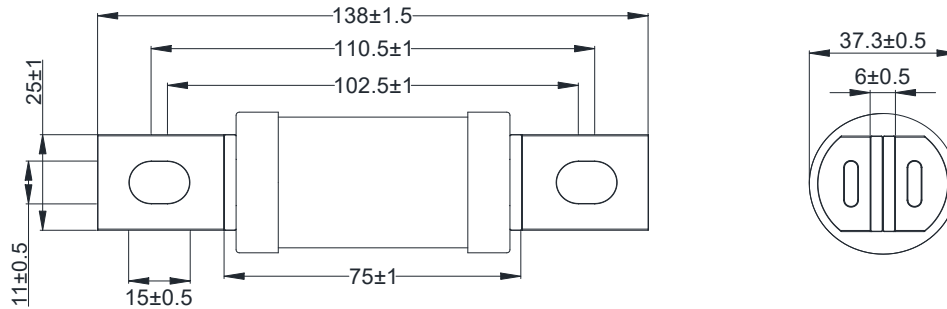
AT7xxxxB05



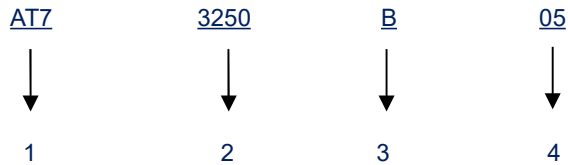
AT7xxxxBN8



AT7xxxxC04



PART NUMBER SYSTEM

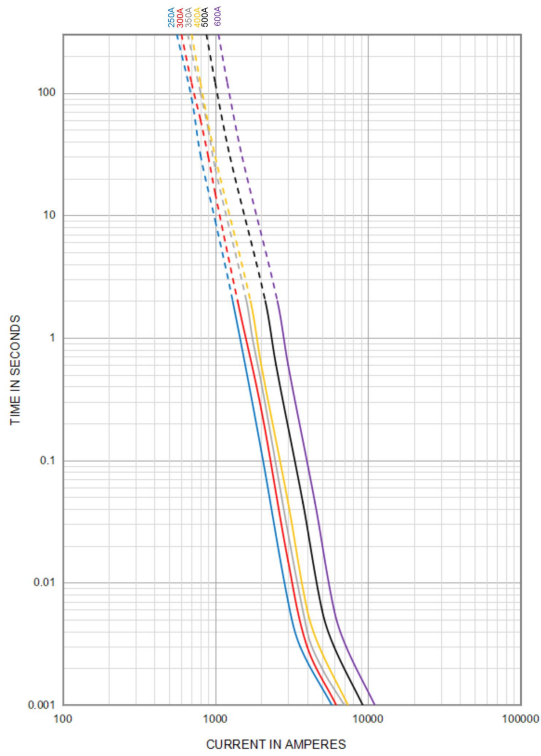


- 1Product Series AT7
- 2 Ampere Code 250 A (see ampere code column of electrical specifications)
- 3 Size B: 38x50 mm, C: 38x75 mm
- 4 Supplementary Code 05, N8, 04: default



adler®

TIME CURRENT CURVE AT7xxxxB05 and AT7xxxxBN8



TIME CURRENT CURVE AT7xxxxC04

