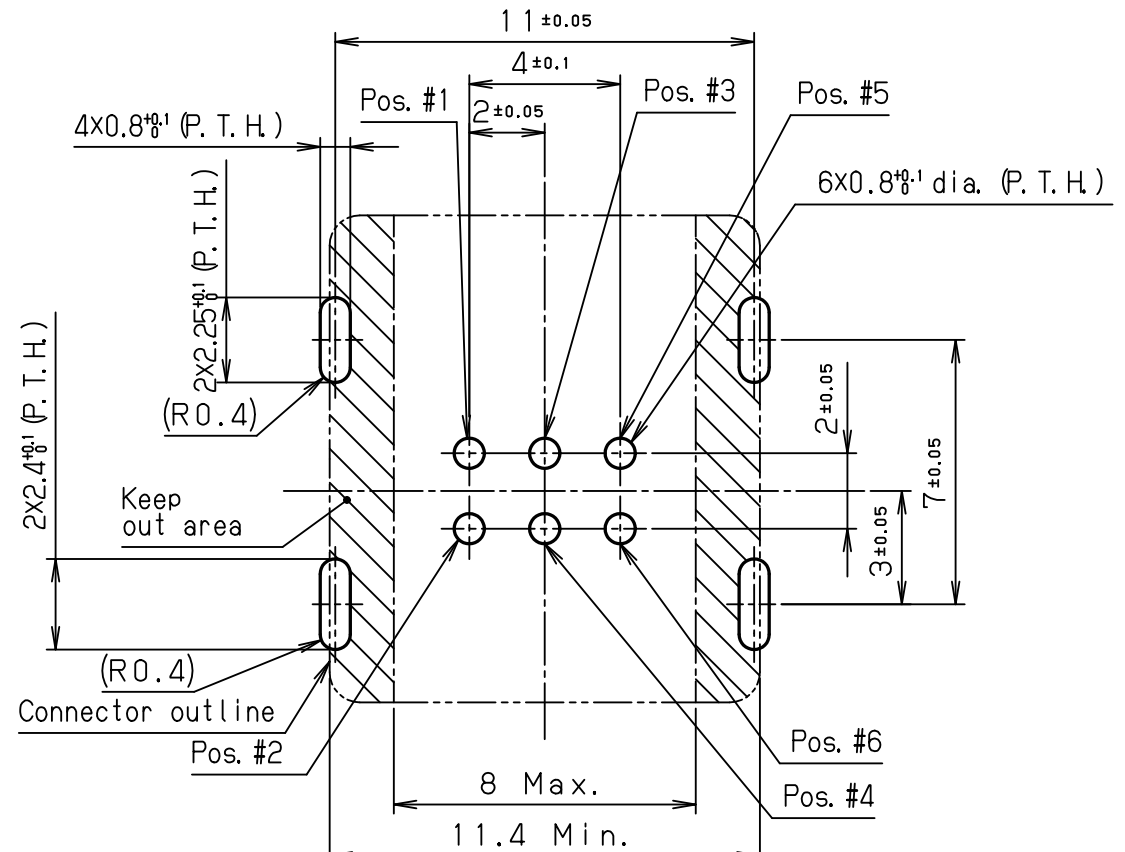
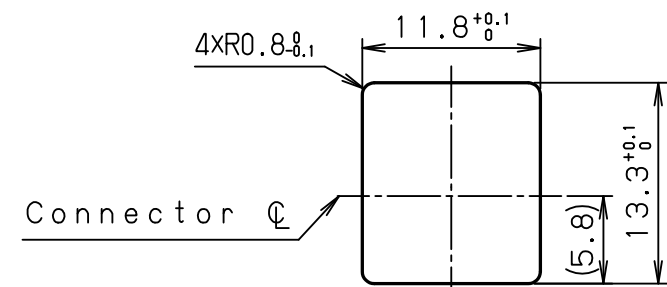


Table 1: Housing color and key code

Part no.	Insulator color	Key code	Mating plug part no.
TAK-V6MDGBA-AF+	Black		TAK-A6SFCGB-A( )+
TAK-V6MDGAA-BF+	Blue		TAK-A6SFCGA-B( )+
TAK-V6MDGCA-CF+	Brown		TAK-A6SFCGC-C( )+



Recommended P.C.B layout  
P.C.B thickness: 1.2mm~1.6mm  
(Connector side)

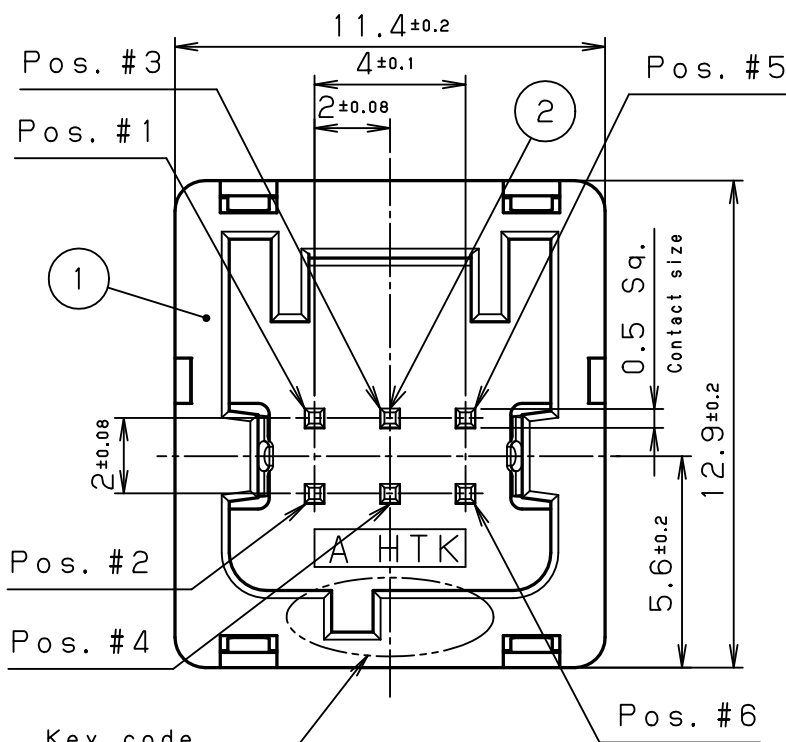


Panel opening size  
(Recommended panel thickness: 1.0mm)

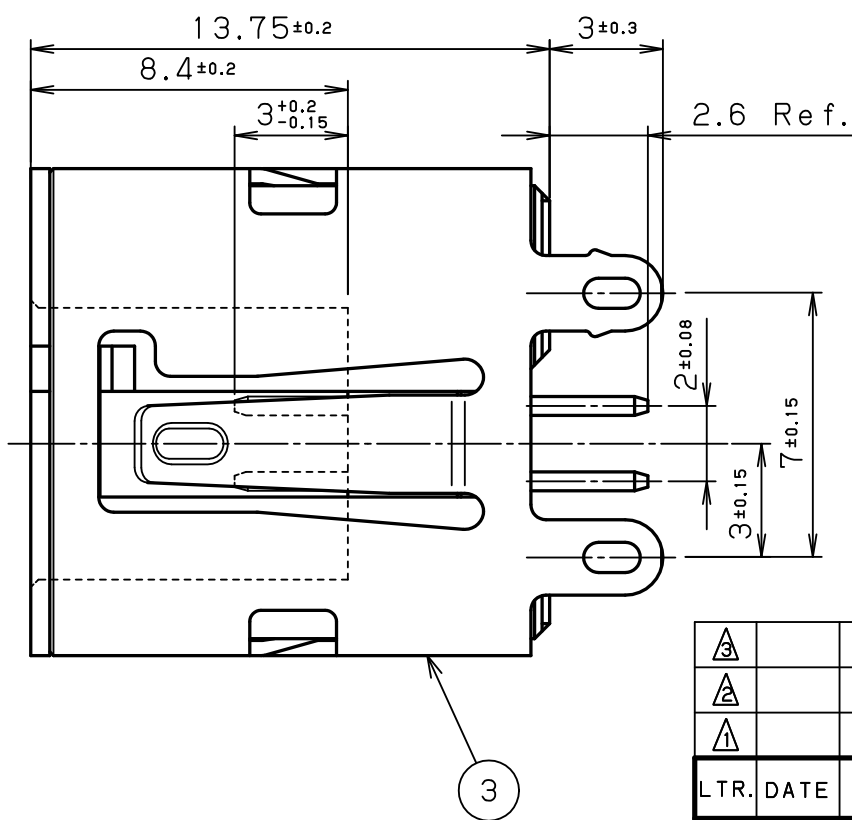
Note

- Contact plating  
Contact area: Gold (0.1 to 0.5 μm)  
Termination area: Gold (0.03 to 0.5 μm)  
Underplating: Nickel

Date code Marking



Key code  
See table #1



RoHS compliant

LTR.	DATE	BY	REV.	DESCRIPT	No.	PART NAME	MATERIAL	QTY	FINISH	NOTE
					3	Shell	Stainless steel	1	Nickel plating	
					2	Contact	Copper alloy	6	See note #1	
					1	Insulator	PBT	1		
DATE					SCALE	UNIT	3RD. A. P			
Nov.10.2015					5/1	mm (INCH)	HTK HONDA TSUSHIN KOGYO CO., LTD.			
APP. DATE&REV.										
DR.	DE.	CHK.	CHK.	APP.	NAME		6 pos. board receptacle connector (RoHS)			
T. KAWANO	T. KAWANO	H. AIZAWA		S. FURUSAWA	PART NO.	TAK-V6MDG( ) A-( ) F+			REV.	